

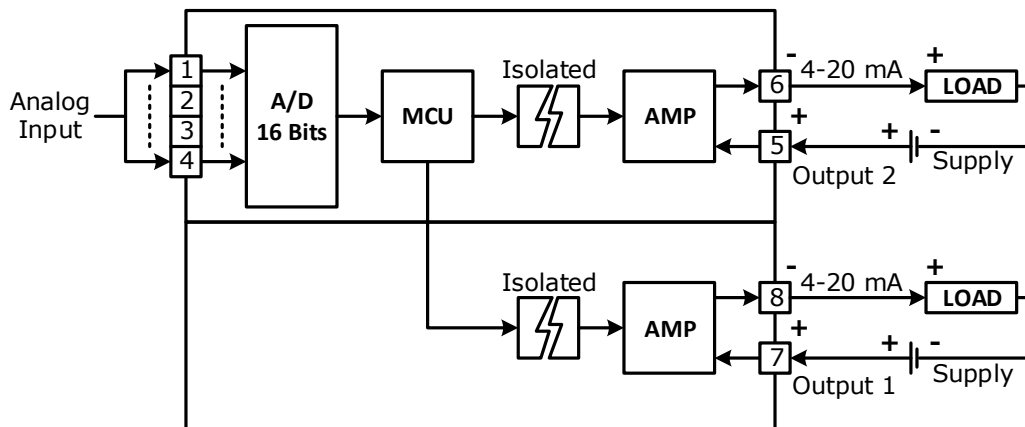
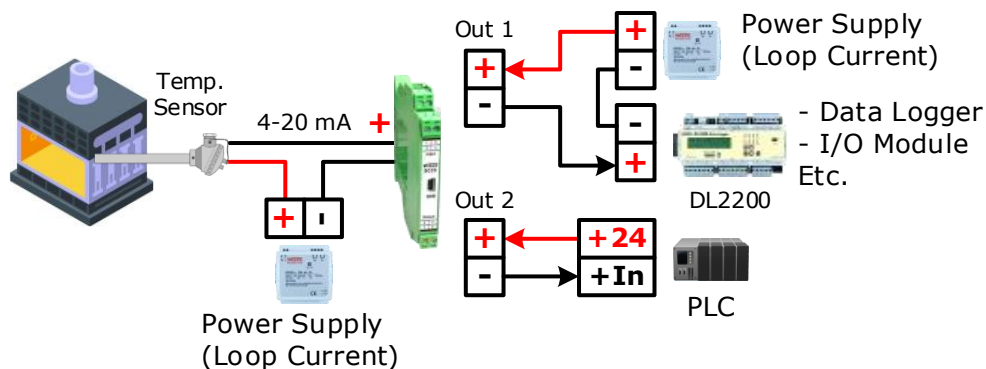
2-Wire Programmable Transmitter

SC25



- Space Saving 12.5 mm. Width
- 1 Input, 2 Output
- Programmable Input
- Isolated Input/Output and Power Supply
- 2-Wire Transmitter Output 4 - 20 mA
- High Accuracy 16 Bits ADC.
- Easy to Install
- Din Rail Mounting

2-Wire Programmable Transmitter SC25 เป็นอุปกรณ์แปลงสัญญาณ Thermocouple, RTD, Ohm, V, mV, mA เป็นสัญญาณ 4 - 20 mA 2-Wire Transmitter โดย Input และ Output Isolate จากกัน



Specifications

Config Port

Connector: USB Type Mini-A (Female)

Analog Input

Number of Channel: 1 Channel

ADC Resolution: 16 Bits

Input Type: Programmable Input

Input Range:

Thermocouple: R, S, K, E, J, T, B

RTD: Cu10, PT100, PT1000

Resistance: 0 to 600 Ω , 0 to 1.2 K Ω ,
0 to 4 K Ω

Voltage (mVDC): 0 to 80, 0 to 150

Voltage (VDC): 0 to 1, 0 to 5, 0 to 10,
0 to 15, 0 to 30

Current (mA): 4 to 20, 0 to 20, 0 to 40

Analog Output

Number of Channel: 2 Channel

Output Type: Current (2-Wire)

Ordering Information: Specify Model

Example SC25

Package Checklist

1. SC25
2. Cable Config

Output Range: 4 To 20 mA

Loop Power: 15 to 35 VDC

Output Load Resistance:

$$R_{load} = (V_{supply} - 15)/0.02$$

Isolation Voltage: 500 VAC, Between Input
Output and Power Supply

Environmental Limits

Operating Temperature: 0 to 55 °C

Operating Humidity: 5 to 95% RH

Storage Temperature: 0 to 70 °C

Physical Characteristics

Dimension: W12.5 X H100 X D113 mm.

Mounting: DIN Rail

Warranty

Warranty Period: 5 Year

Table 1. Shown Accuracy and Resolution Each Input Type

Code	Input Type	Measuring Range	Resolution	Accuracy (%FS) (Temp. 25 °C)	Input Impedance	
0	Not Use	-	-	-	-	
1	Thermocouple	R	0.0 - 1700.0 °C	1.5 °C	±0.2%(3.4°C)	300 KΩ
2		S	0.0 - 1700.0 °C	1.5 °C	±0.2%(3.4°C)	300 KΩ
3		K	(-)250.0 - 1300.0 °C	0.2 °C	±0.2%(2.6°C)	300 KΩ
4		E	0.0 - 1000.0 °C	0.1 °C	±0.2%(2.0°C)	300 KΩ
5		J	(-)200 - 700.0 °C	0.15 °C	±0.2%(1.4°C)	300 KΩ
6		T	(-)250 - 400.0 °C	0.2 °C	±0.2%(0.8°C)	300 KΩ
7		B	600.0 - 1800.0 °C	1 °C	±0.2%(3.6°C)	300 KΩ
8	RTD	Cu10	0.0 - 150 °C	1 °C	±0.1%(1.5°C)	-
9		Pt100	(-)200.0 - 800.0 °C	0.15 °C	±0.1%(0.8°C)	-
10		Pt1000	(-)200.0 - 800.0 °C	0.1 °C	±0.1%(0.8°C)	-
11	Resistor (ohm)	600	0.0 - 600.0 Ω	0.06 Ω	±0.01%(0.06 Ω)	-
12		1200	0.0 - 1200.0 Ω	0.06 Ω	±0.02%(0.24 Ω)	-
13		4000	0.0 - 4000.0 Ω	0.1 Ω	±0.02%(0.8 Ω)	-
14	Voltage (mV)	80	0.0 - 80.0 mV	8 μV	±0.1%(5 μV)	300 KΩ
15		150	0.0 - 150.0 mV	8 μV	±0.02%(30 μV)	300 KΩ
16	Voltage (V)	0-1	0.0 - 1.0 V	30 μV	±0.05%(500 μV)	716 KΩ
17		0-5	0.0 - 5.0 V	2 mV	±0.04%(2 mV)	716 KΩ
18		0-10	0.0 - 10.0 V	2 mV	±0.04%(2 mV)	716 KΩ
19		0-15	0.0 - 15.0 V	2 mV	±0.02%(3 mV)	716 KΩ
20		0-30	0.0 - 30.0 V	2 mV	±0.033%(10 mV)	716 KΩ
21	Current (mA)	4-20	4.0 - 20.0 mA	3 μA	±0.01%(5 μA)	100 Ω
22		0-20	0.0 - 20.0 mA	3 μA	±0.01%(5 μA)	100 Ω